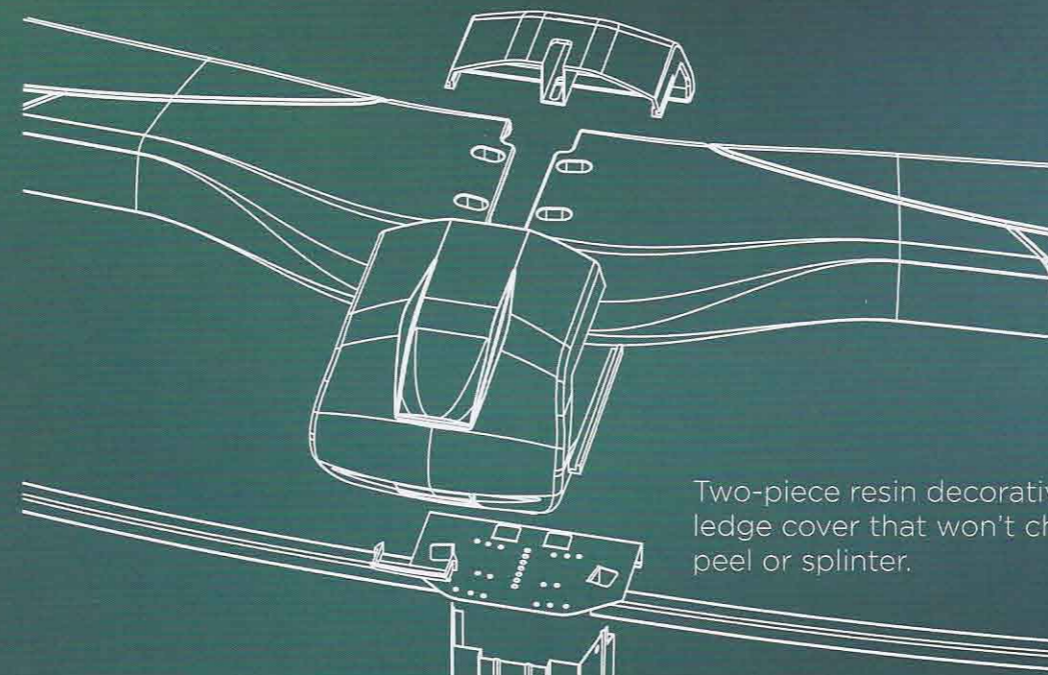


MISSION

Hybrid construction for outstanding rigidity

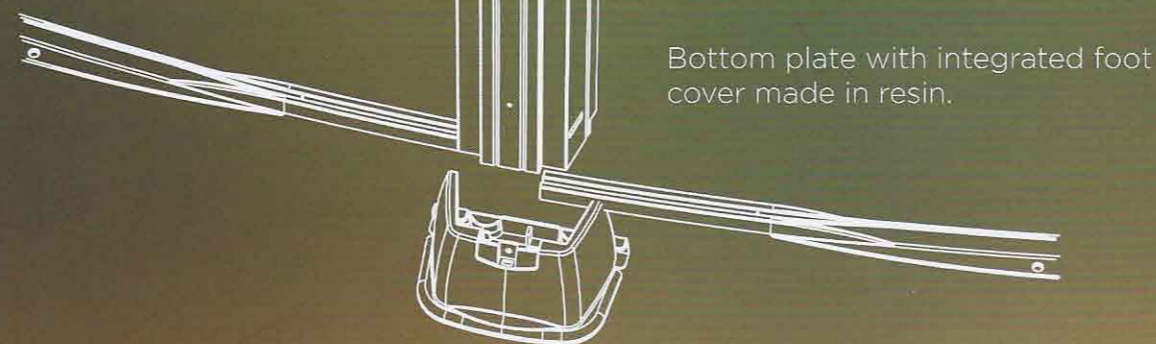
Pool World Inc
Rt 61 Shamokin, PA 17872
570-644-1314
1-800-895-1314
www.poolworldinc.com

Swim
Above
Ground
com



Two-piece resin decorative ledge cover that won't chip, peel or splinter.

Uprights designed for maximum strength and engineered to be reliable for decades.



Bottom plate with integrated foot cover made in resin.



Available color and sizes

Color

Pearl

Round

12' 15' 18' 21' 24' 27' 30'

54" Height

Oval

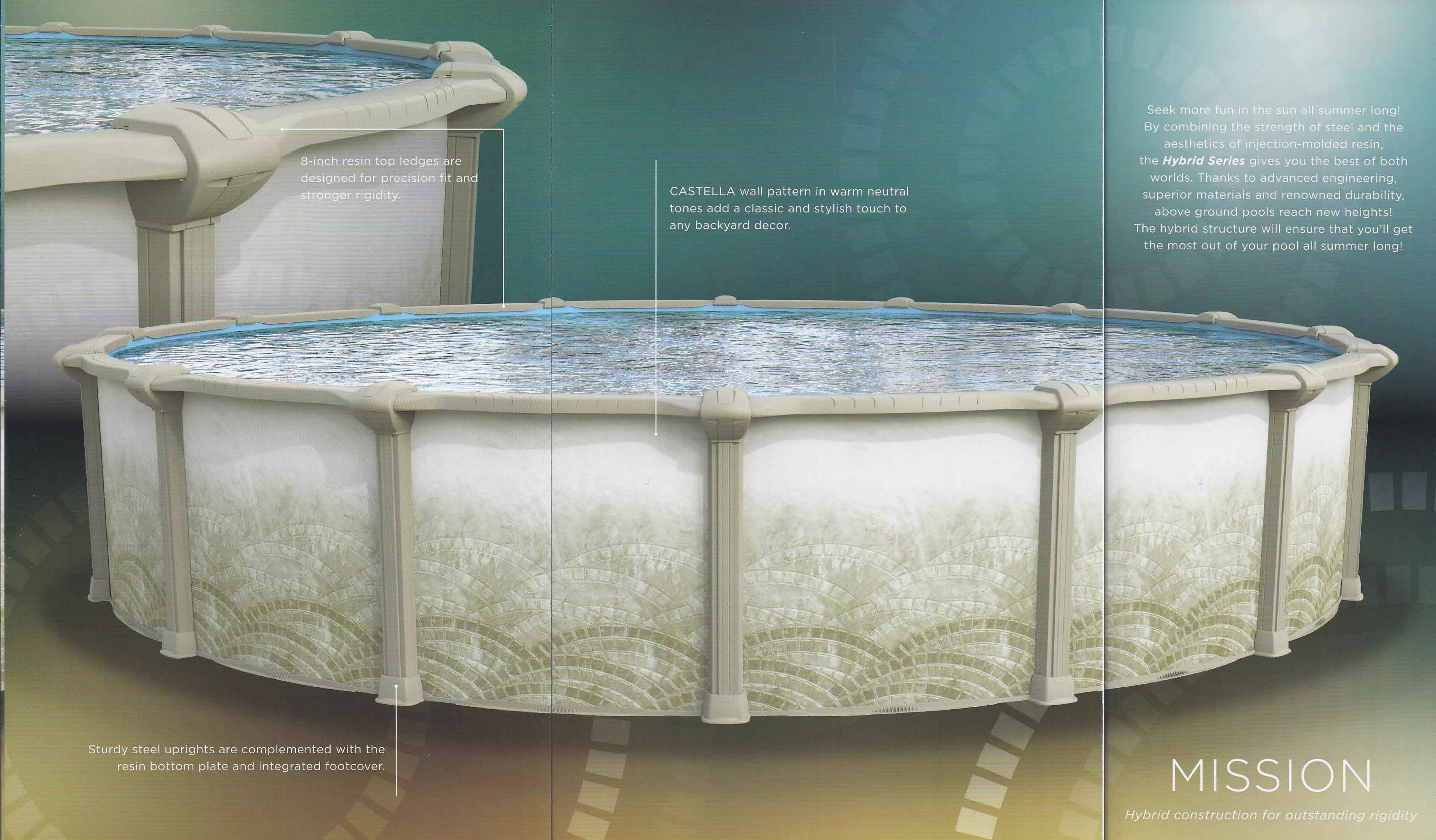
12' x 23' 15' x 26' 15' x 30' 18' x 33'

54" Height

Features

Hybrid Series

- 8-inch Injection molded resin top ledge
- Radiused top ledge for design & strength
- Sturdy steel uprights
- Two-piece resin ledge covers
- Injection-molded resin bottom rails
- Stylish resin foot cover
- Castella wall pattern
- Heavy corrugated wall with superior coatings
- Stainless steel fasteners
- Exclusive multi-layer enamel system for extra protection
- Easy to assemble
- Yard extender system for oval pools
 - invisible lateral supports that you place in the ground



8-inch resin top ledges are designed for precision fit and stronger rigidity.

CASTELLA wall pattern in warm neutral tones add a classic and stylish touch to any backyard decor.

Sturdy steel uprights are complemented with the resin bottom plate and integrated footcover.

Seek more fun in the sun all summer long! By combining the strength of steel and the aesthetics of injection-molded resin, the **Hybrid Series** gives you the best of both worlds. Thanks to advanced engineering, superior materials and renowned durability, above ground pools reach new heights! The hybrid structure will ensure that you'll get the most out of your pool all summer long!

MISSION

Hybrid construction for outstanding rigidity